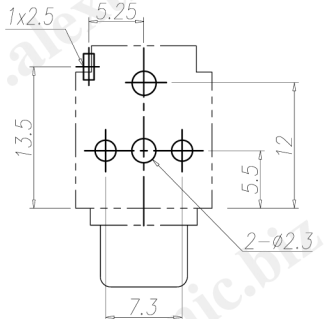
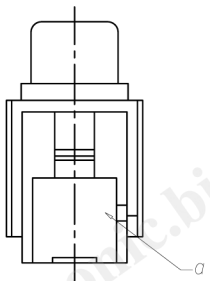
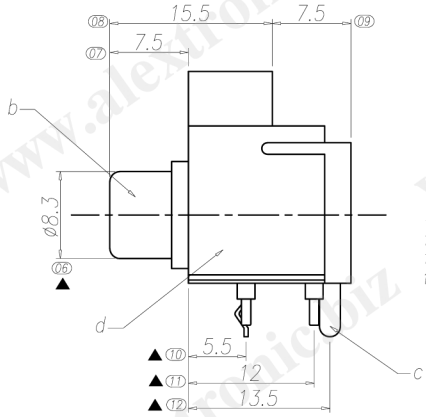
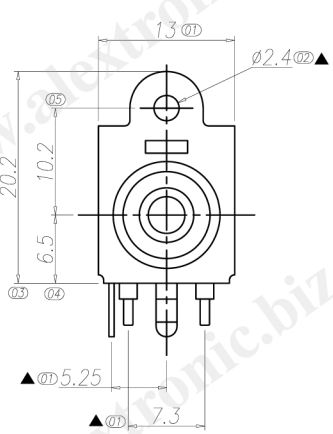


CATEGORY	DESCRIPTION	P/N #
CONNECTOR	RCA JACK 1X1Ports, R/A T/H Without Shielding, TOP Screw Hole*1	RJ12BR-110X0-XX01

REV.	ECN NO	DESCRIPTION	REVISED	DATE
A01		New Release	GMC	2010.04.15



Recommend PCB Layout
(Jack Top View)
Tolerance: ±0.05mm
Recommend PCB Thickness: 1.6mm

- SPECIFICATION**
- Voltage and Current Rating: 12V & 1A
 - Contact resistance: 30mΩ MAX
 - Insulation resistance: 100MΩ MIN @ DC500V
 - Withstand voltage: 500VAC for 1min
 - Insertion Force: 3Kgf MAX
 - Extraction Force: 0.3Kgf MIN
 - Withdraw Force for Center Contact: 0.08Kgf MIN
(Use a OD=3.2±0.005mm, Length=14 ±0.2mm Gauge Plug)
 - Terminal Strength: The terminal shall be capable of withstanding a force of 3Kgf applied in any direction for 0.5 secs without losing and breakdown
 - Life test: 1,500 cycles
 - Temperature Range: -25°C~70°C
 - To conform with the "QC-03-045" & "RoHS DIRECTIVE"
 - Solder heat resistance: wave soldering 260°c 5 secs
 - ▲ is the imprompt dimension



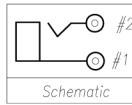
Part No.: RJ12BR-11010-XX01

See Color Scheme

Outer contact Plating&P/N#

Table 1

X	Plating	P/N#
1	Gold Flash	1TM-RJ0521-01
2	80~120u"CuSn Plating	1TM-RJ0521-00



Color Scheme

XX	Housing	Cover
00	Black	Black

d	Cover	1	1HS-RJ12BR-01	ABS UL94V-HB	See Color Scheme
c	Terminal	1	1TM-RJ0522-00	Brass(C2680),T=0.4mm	80~120u"CuSn Plating
b	Outer contact	1	1TM-RJ0521-01	Brass(C2680),T=0.4mm	Gold Flash
a	Housing	1	1HS-RJ12BR-00	ABS UL94V-HB	See Color Scheme
NO.	PART NAME	Q'TY	MATERIAL	PLATING & COLOR	Remark

UNLESS OTHERWISE SPECIFIED TOLERANCES

DECIMALS:
X :±0.3
X.X :±0.2
X.XX :±0.1
X.XXX :±0.05

ANGLES:
X :±1°
X.X :±0.5°

SCALE: 1/1		UNIT: mm	DWG.NO:	
SIZE: A3		PAGE: 1 OF 1	REV: A01	WI-061-861
APPROVED BY		CHECKED BY		PREPARED BY
XZQ		XZQ		GMC
ENGINEERING COPY				